

Notes:

1. All the dimension are in mm
2. Indicator
 - a. F1= Foundation 1
 - b. F2=Foundation 2
 - c. SHS=Square Hollow Section
 - d. RCC=Reinforced Cement Concrete
 - e. PCC=Plain Cement Concrete
3. THIS DRAWING IS TO BE READ IN CONJUNCTION WITH ALL RELEVANT SPECIFICATIONS.

C			
B			
A			

REV:	DESCRIPTION:	BY:	DATE:
STATUS: CONSTRUCTION ISSUE			



Gayatri Builders
 Nakhipot, Milan Chowk-14
 Lalitpur, Nepal
 +977 9851005779 / 9751005779

CLIENT: British Council
 Lainchour, Kathmandu
 Nepal

Title
 Generator Shed Plan

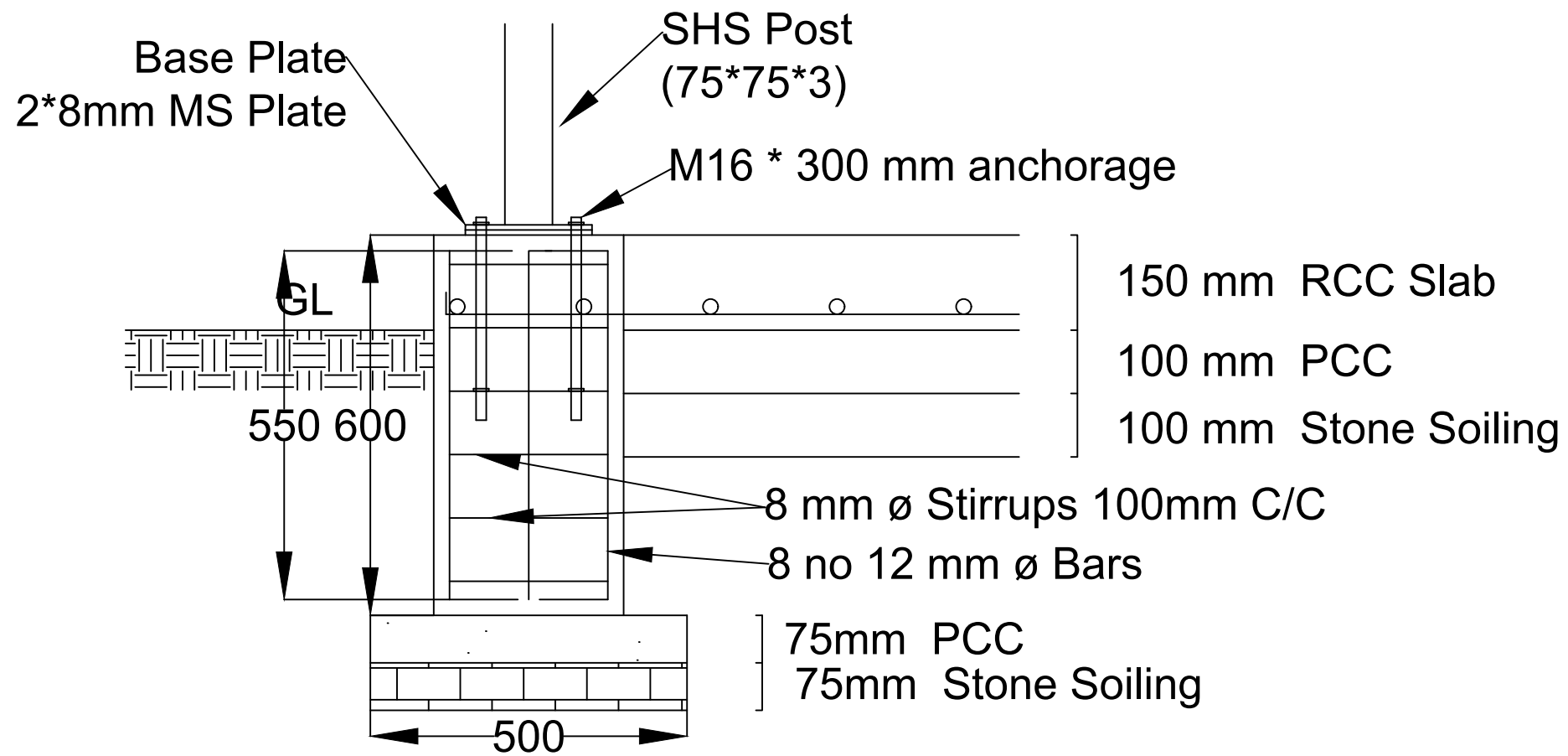
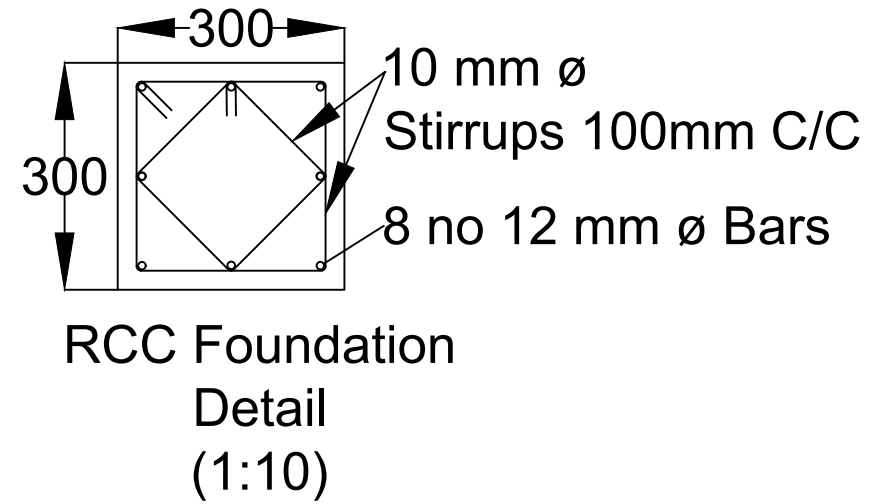
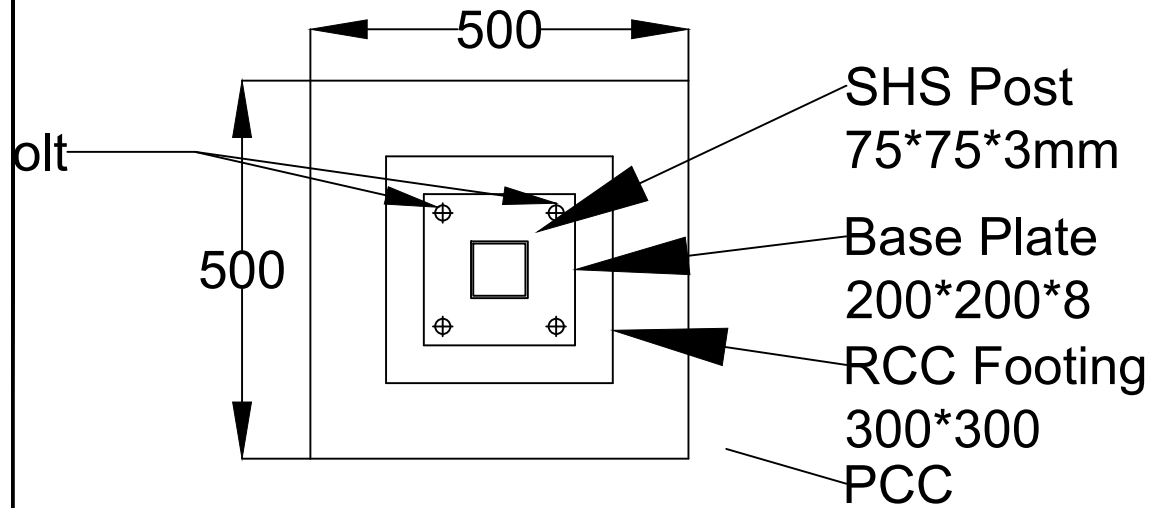
SITE: British Council, Lainchour
 British Embassy Compound

TITLE: General and Roof Plan
 of Generator Shed

SCALE AT A3: 1:40	DATE: 29/11/2021	DRAWN: Bishnu	CHECKED:
PROJECT NO: 24567	DRAWING NO: A3/1	REVISION: 0	

Notes:

1. All the dimension are in mm
2. Indicator
 - a. F1= Foundation 1
 - b. F2=Foundation 2
 - c. SHS=Square Hollow Section
 - d. RCC=Reinforced Cement Concrete
 - e. PCC=Plain Cement Concrete
3. THIS DRAWING IS TO BE READ IN CONJUNCTION WITH ALL RELEVANT SPECIFICATIONS.



F1
(1:10)

C			
B			
A			

REV:	DESCRIPTION:	BY:	DATE:
------	--------------	-----	-------

STATUS: CONSTRUCTION ISSUE



Gayatri Builders
Nakhipot, Milan Chowk-14
Lalitpur, Nepal
+977 9851005779 / 9751005779

CLIENT: British Council
Lainchour, Kathmandu
Nepal

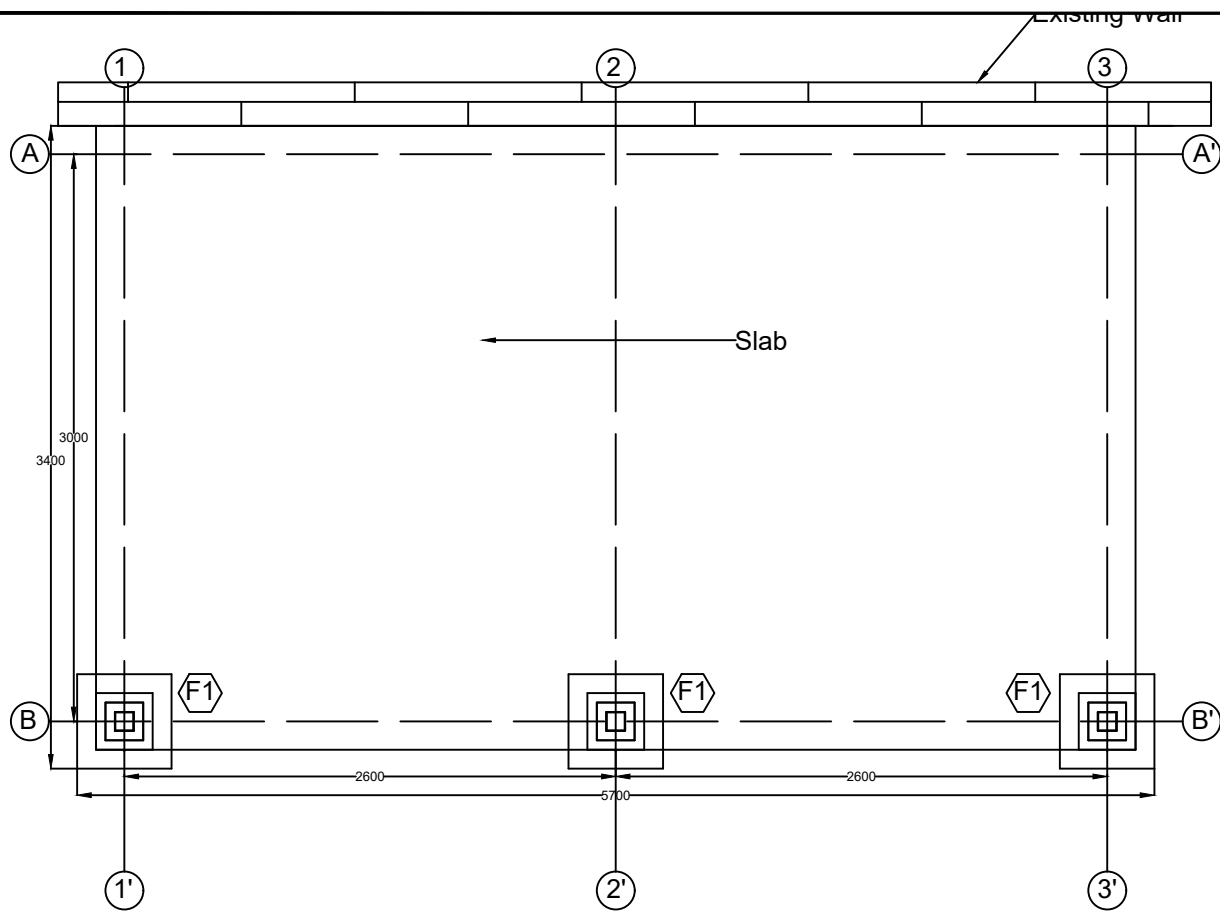
Title: Generator Shed Plan

SITE: British Council
British Embassy Compound

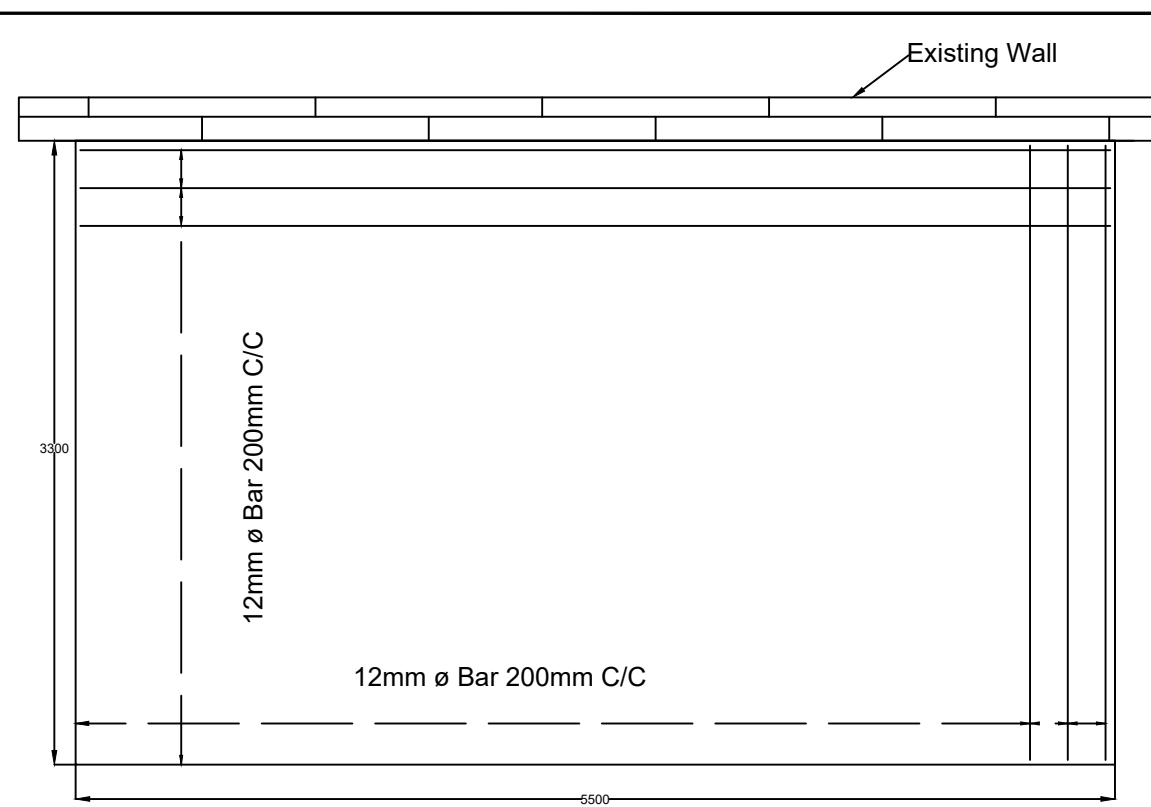
TITLE: Detail Desing of Footing
Foundation and Base Plate

SCALE AT A3:	DATE:	DRAWN:	CHECKED:
1:10	29/11/2021	Bishnu	

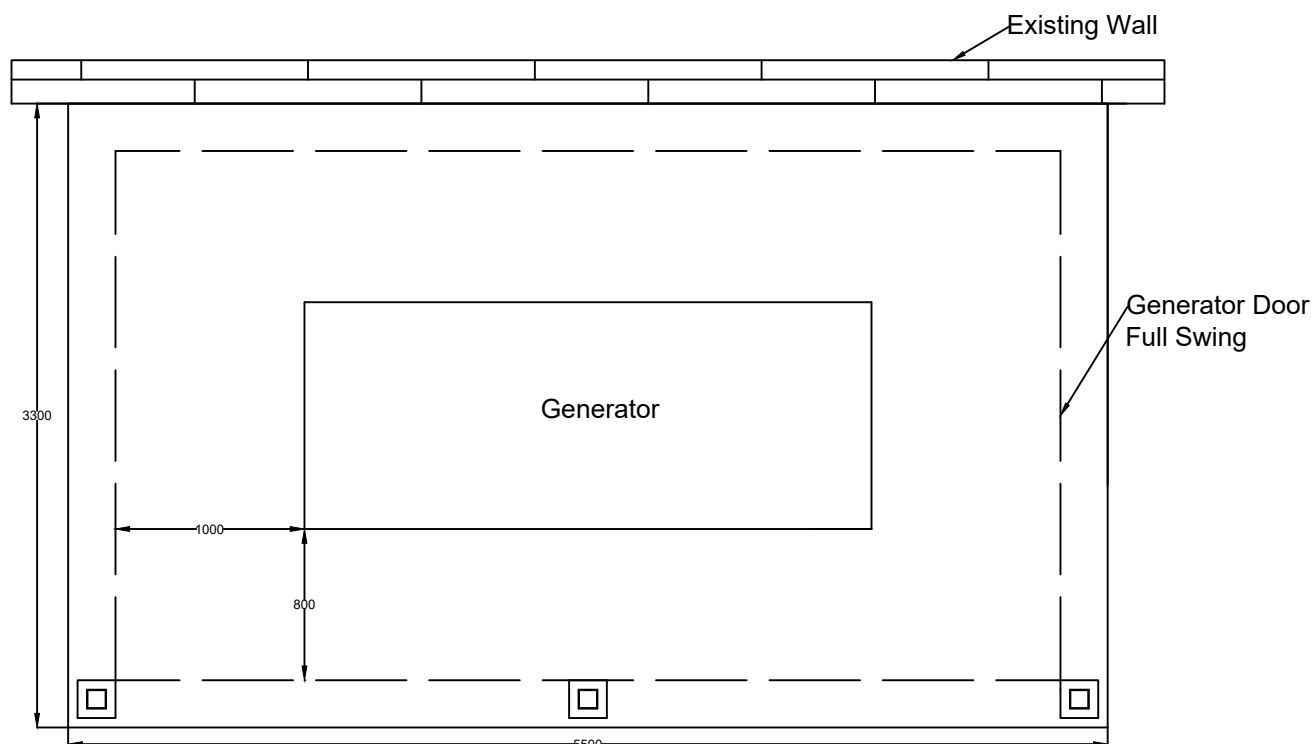
PROJECT NO:	DRAWING NO:	REVISION:
24567	A3/2	0



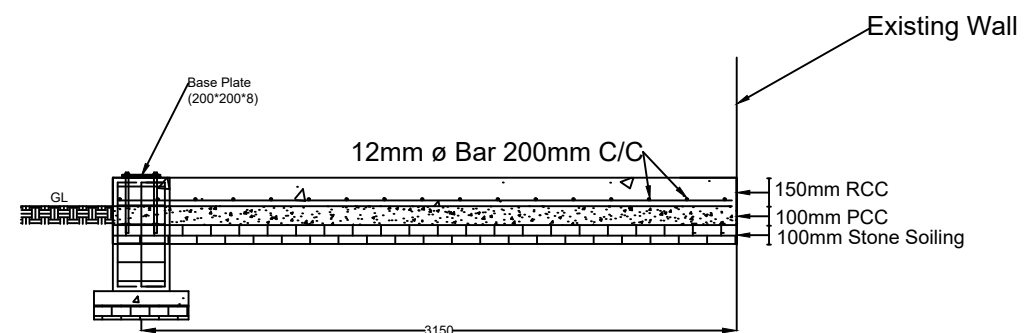
Foundation Detail
(1:40)



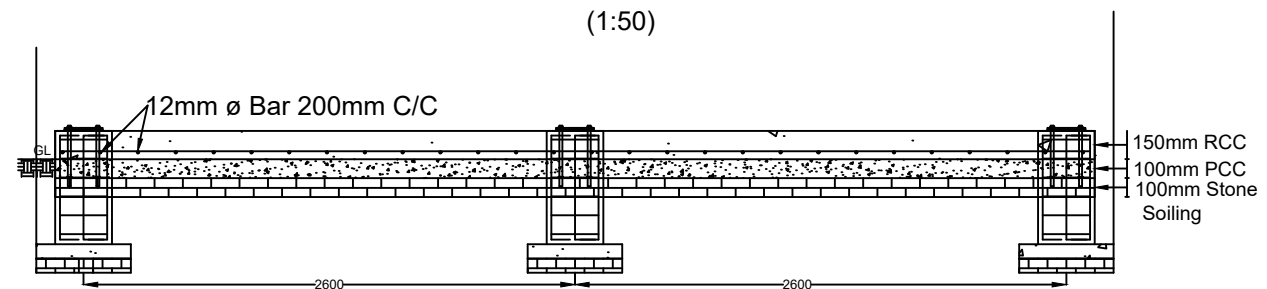
Slab Detail
(1:40)



Plan Detail
(1:40)



Slab Section 11'
(1:50)



Slab Section BB'
(1:40)

Notes:

1. All the dimension are in mm
2. Indicator
 - a. F1=Foundation 1
 - b. F2=Foundation 2
 - c. SHS=Square Hollow Section
 - d. RCC=Reinforced Cement Concrete
 - e. PCC=Plain Cement Concrete
3. THIS DRAWING IS TO BE READ IN CONJUNCTION WITH ALL RELEVANT SPECIFICATIONS.

C			
B			
A			
REV:	DESCRIPTION:	BY:	DATE:

STATUS: CONSTRUCTION ISSUE



Gayatri Builders
Nakhipot, Milan Chowk-14
Lalitpur, Nepal
+977 9851005779 / 9751005779

CLIENT: British Council
Lainchour, Kathmandu
Nepal

Title: Generator Shed Plan

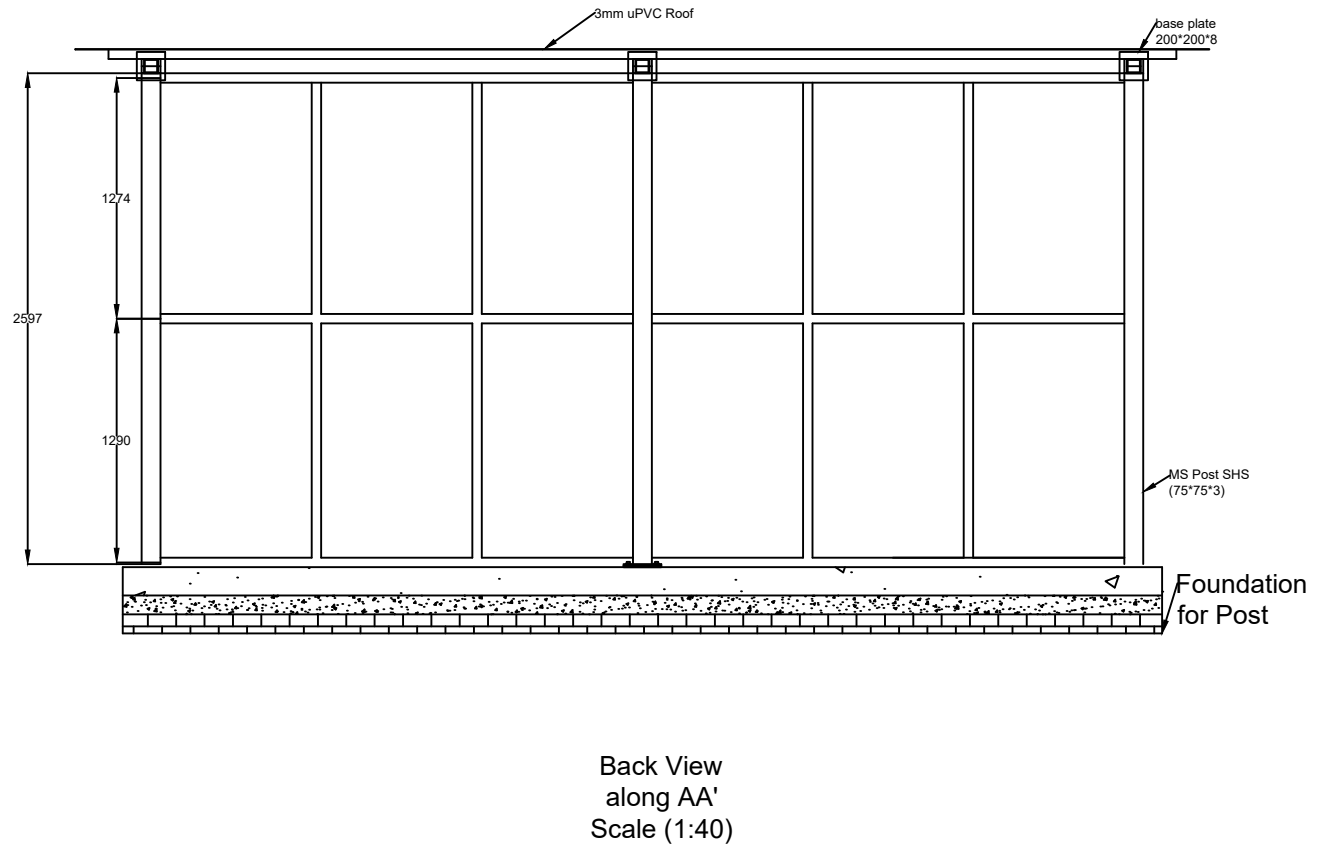
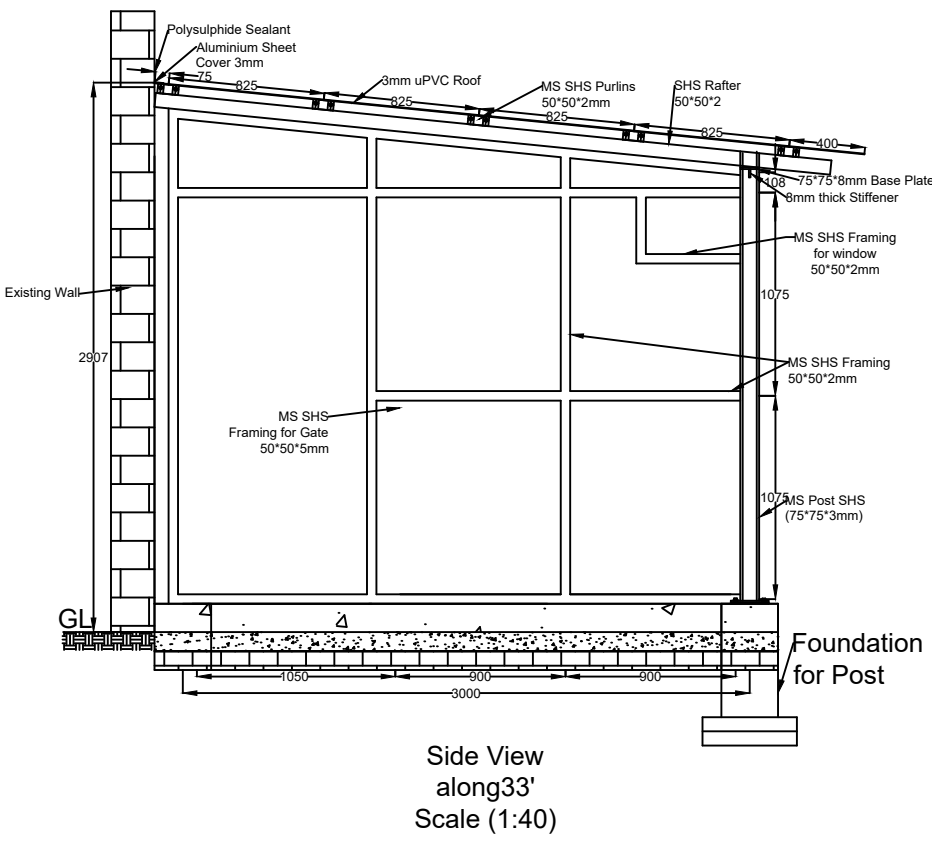
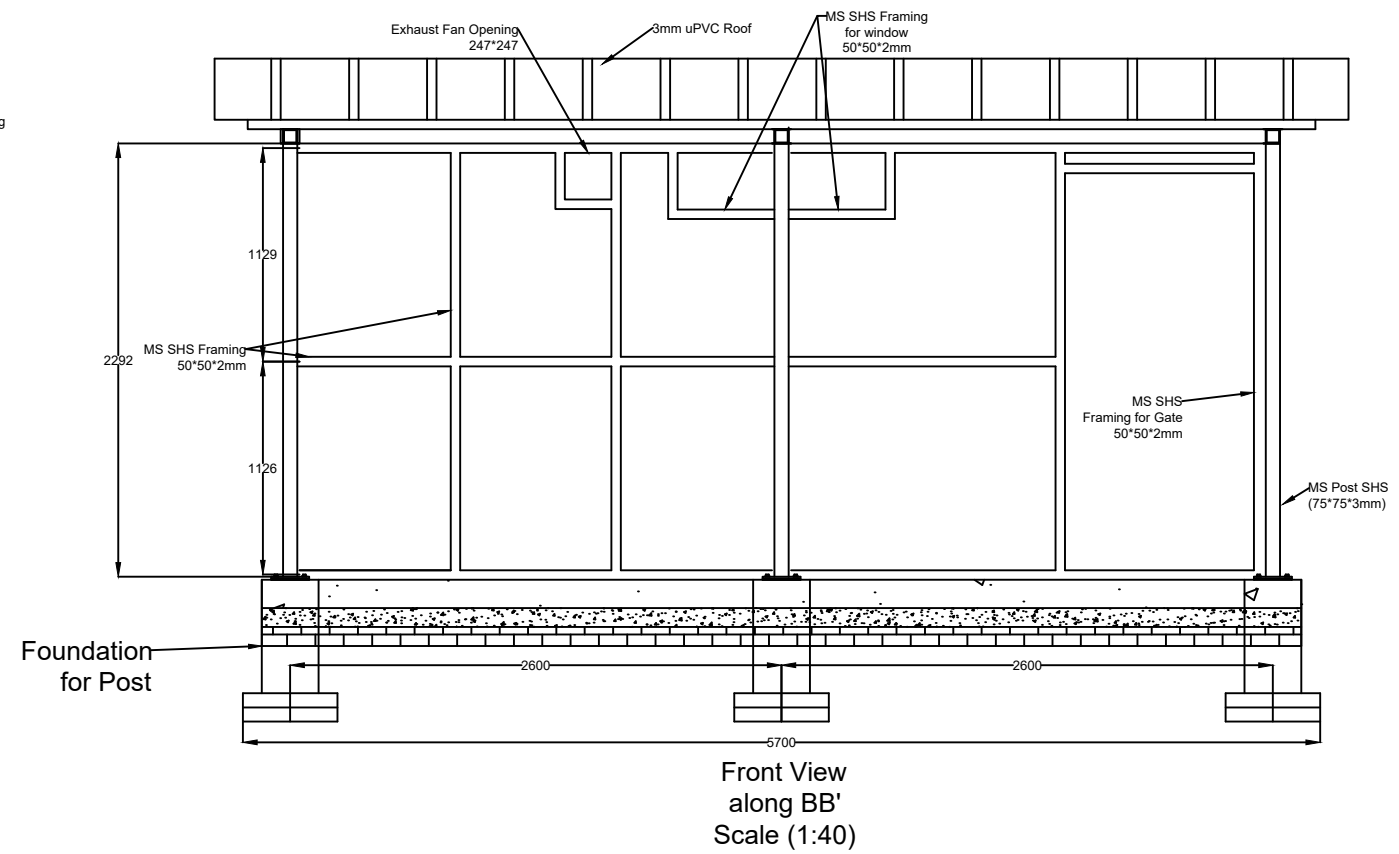
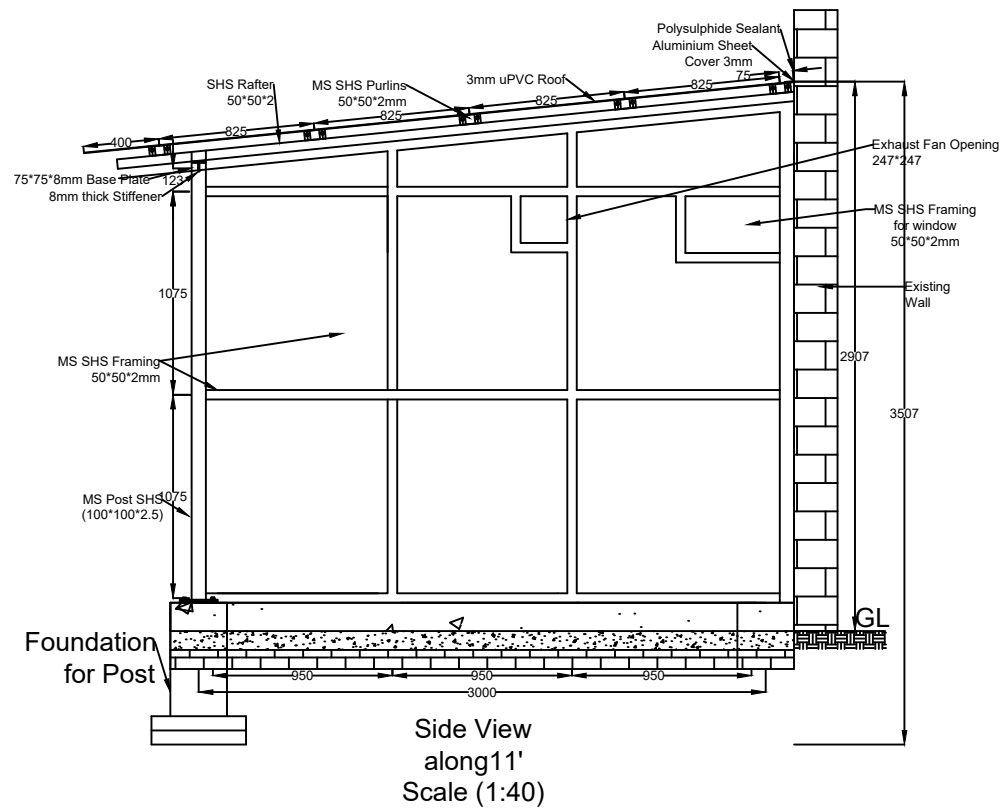
SITE: British Council, Lainchour
British Embassy Compound

TITLE: Plan Detail, Detail of Slab,
and Foundation

SCALE AT A3: 1:40	DATE: 29/11/2021	DRAWN: Bishnu	CHECKED:
PROJECT NO: 24567	DRAWING NO: A3/3	REVISION:	0

Notes:

1. All the dimension are in mm
2. Indicator
 - a. F1= Foundation 1
 - b. F2=Foundation 2
 - c. SHS=Square Hollow Section
 - d. RCC=Reinforced Cement Concrete
 - e. PCC=Plain Cement Concrete
3. THIS DRAWING IS TO BE READ IN CONJUNCTION WITH ALL RELEVANT SPECIFICATIONS.



C			
B			
A			
REV:	DESCRIPTION:	BY:	DATE:

STATUS: CONSTRUCTION ISSUE

Gayatri Builders
 Nakhipot, Milan Chowk-14
 Lalitpur, Nepal
 +977 9851005779 / 9751005779

CLIENT: British Council
 Lainchour, Kathmandu
 Nepal

TITLE: Generator Shed Plan

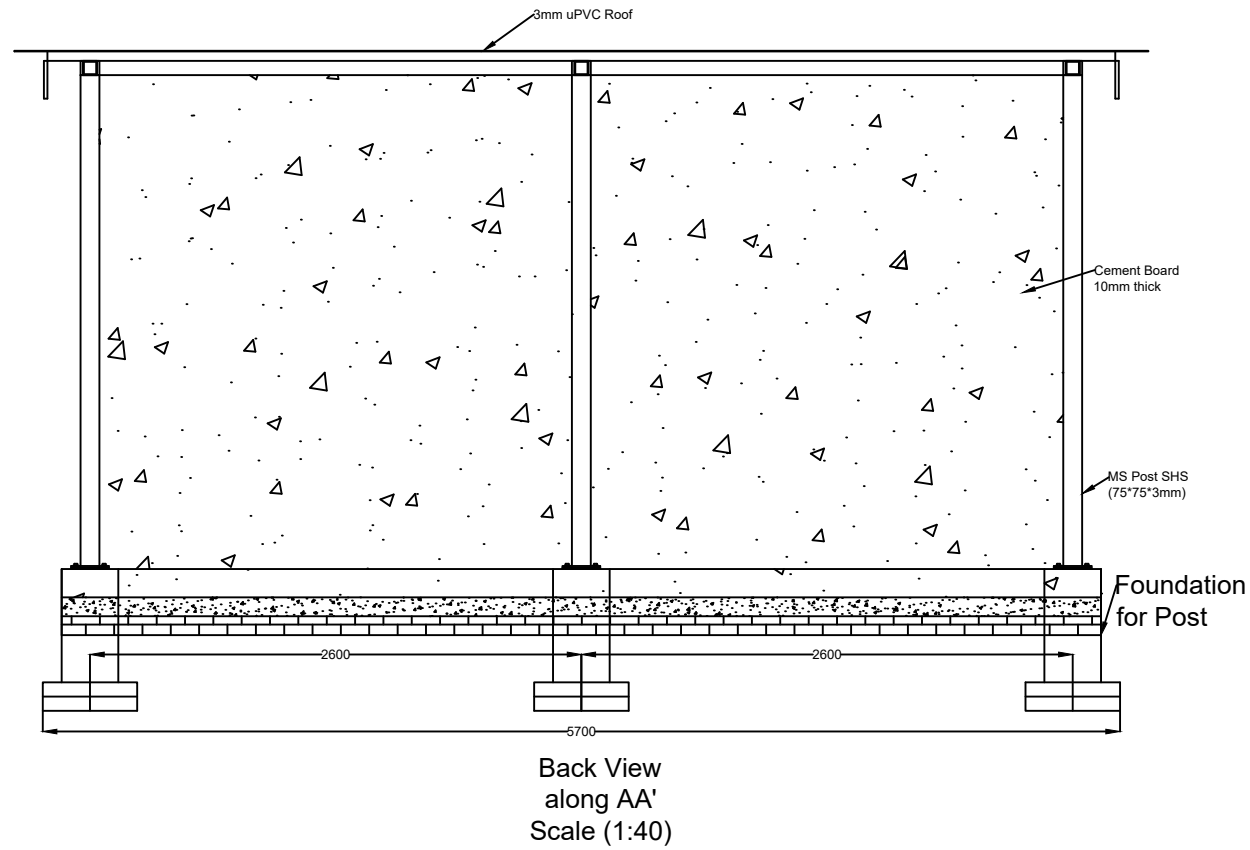
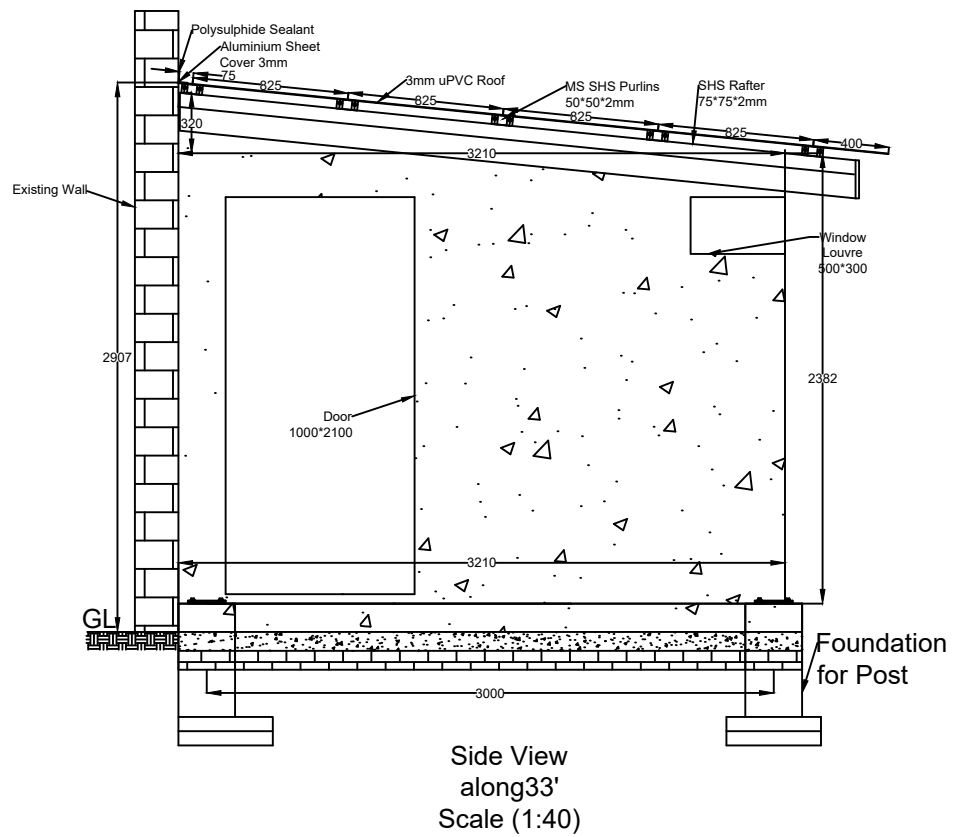
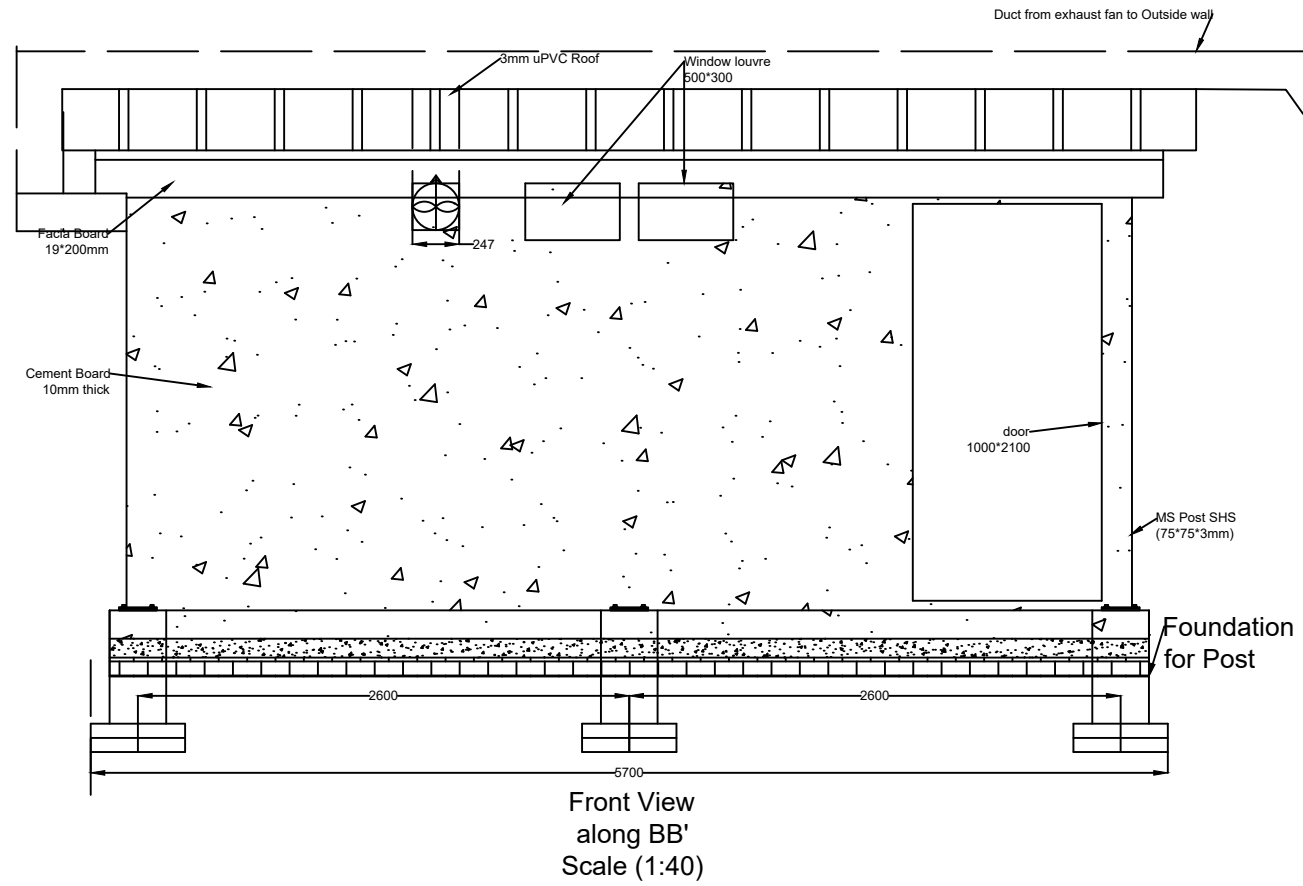
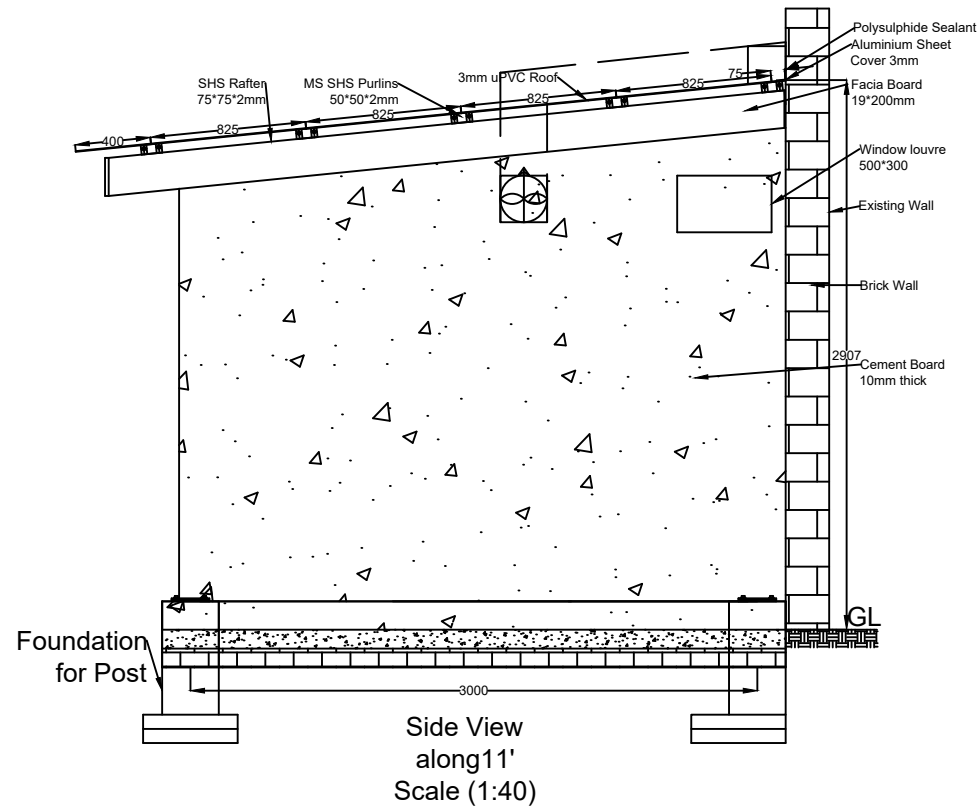
SITE: British Council, Lainchour
 British Embassy Compound

TITLE: Design of Framing

SCALE AT A3:	DATE:	DRAWN:	CHECKED:
1:50	29/11/2021	Bishnu	
PROJECT NO:	DRAWING NO:	REVISION:	
24567	A3/4	0	

Notes:

1. All the dimension are in mm
2. Indicator
 - a. F1= Foundation 1
 - b. F2=Foundation 2
 - c. SHS=Square Hollow Section
 - d. RCC=Reinforced Cement Concrete
 - e. PCC=Plain Cement Concrete
3. THIS DRAWING IS TO BE READ IN CONJUNCTION WITH ALL RELEVANT SPECIFICATIONS.



C			
B			
A			
REV:	DESCRIPTION:	BY:	DATE:

STATUS: CONSTRUCTION ISSUE



Gayatri Builders
 Nakhipot, Milan Chowk-14
 Lalitpur, Nepal
 +977 9851005779 / 9751005779

CLIENT: British Council
 Lainchour, Kathmandu
 Nepal

Title: Generator Shed Plan

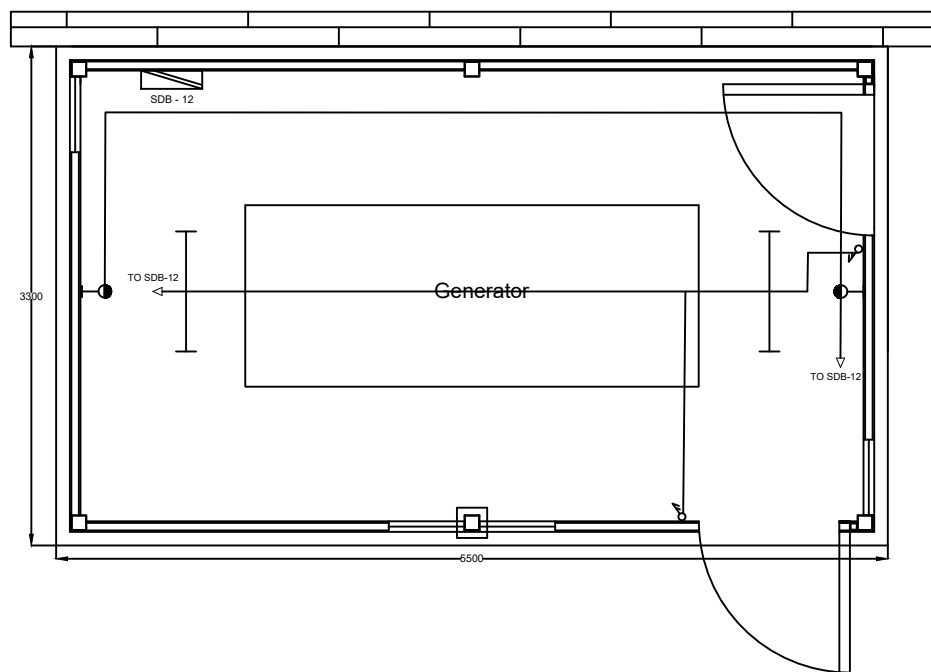
SITE: British Council, Lainchour
 British Embassy Compound

TITLE: Design of Cement Board Wall

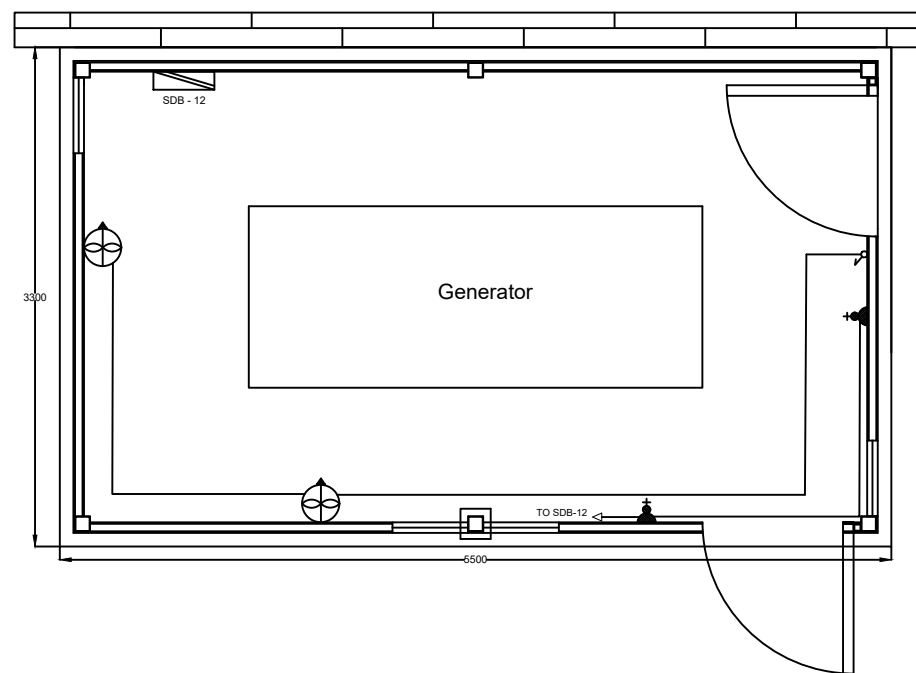
SCALE AT A3:	DATE:	DRAWN:	CHECKED:
1:50	29/11/2021	Bishnu	
PROJECT NO:	DRAWING NO:	REVISION:	
24567	A3/5	0	

Notes:

1. All the dimension are in mm
2. Indicator
 - a. F1= Foundation 1
 - b. F2=Foundation 2
 - c. SHS=Square Hollow Section
 - d. RCC=Reinforced Cement Concrete
 - e. PCC=Plain Cement Concrete
3. THIS DRAWING IS TO BE READ IN CONJUNCTION WITH ALL RELEVANT SPECIFICATIONS.



PROPOSED GENERATOR HOUSE LIGHT PLAN
British Council Nepal, Lainchaur



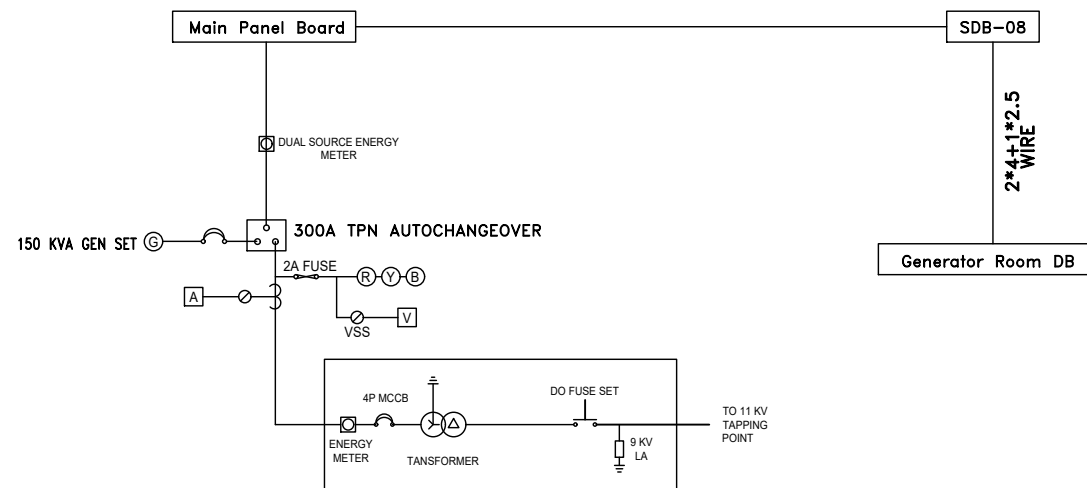
PROPOSED GENERATOR HOUSE POWER AND EXHAUST PLAN
British Council Nepal, Lainchaur

LEGEND

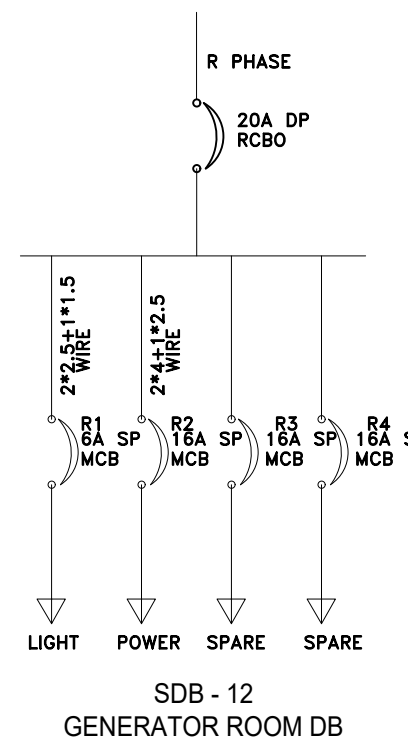
SYMBOL	DESCRIPTION	MOUNTING HEIGHT CENTER
⏏	ONE WAY SWITCH	1200mm
⏏	TWO WAY SWITCH	1200mm
⊕	200# EXHAUST FAN	2076mm
DB	DISTRIBUTION BOARD(DB)	1800mm Top
☐	2'x2' 40 W LED SURFACE/RECESSED TYPE	CEILING
⊕	LED EMERGENCY LIGHT	2400mm
⊕	2'x2' 40 W LED SURFACE/RECESSED TYPE	CEILING
⏏	6/16 A Power Socket	450mm

CONDUIT / CABLE SCHEDULE	CONDUIT / CABLE SIZE	NO OF MAXIMUM CABLE AND CONDUIT SIZES				
		16	20	25	32	40
1.5 SQ. MM	16	8	7	10	14	---
2.5 SQ. MM	16	5	5	5	12	---
4.0 SQ. MM	16	---	5	5	10	12
6.0 SQ. MM	16	---	2	4	5	9

- NOTES:**
1. CONDUIT FOR LIGHT SHOULD BE 20 MM FROM DB TO SWITCH/LIGHT POINT
 2. CONDUIT FOR POWER/TEL/DATA/FIRE ALARM /CCTV SHOULD BE 30 MM THROUGHOUT.
 3. CONDUIT QUALITY SHOULD BE AS MARKED & 10 HR/CHL.
 4. THE MOUNTING DETAILS FOR ALL TYPES OF ELECTRICAL POINTS SHOULD BE AS PER LEGEND SHOWN.
 5. ALL SWITCHES ARE 150 MM FROM EDGE OF DOOR WHILE EXTENDING TO ROOM AND TO BE AT RIGHT SIDE.



POWER DISTRIBUTION SCHEMATIC



**SDB - 12
GENERATOR ROOM DB**

C			
B			
A			
REV:	DESCRIPTION:	BY:	DATE:

STATUS: CONSTRUCTION ISSUE



Gayatri Builders
Nakhipot, Milan Chowk-14
Lalitpur, Nepal
+977 9851005779 / 9751005779

CLIENT: British Council
Lainchour, Kathmandu
Nepal

Title: Generator Shed Plan

SITE: British Council, Lainchour
British Embassy Compound

TITLE: Electrical Layout

SCALE AT A3: 1:50	DATE: 29/11/2021	DRAWN: Manahari	CHECKED:
PROJECT NO: 24567	DRAWING NO: A3/6	REVISION: 0	